



# Wheelchair accessible taxis

Last updated: 29 November 2021

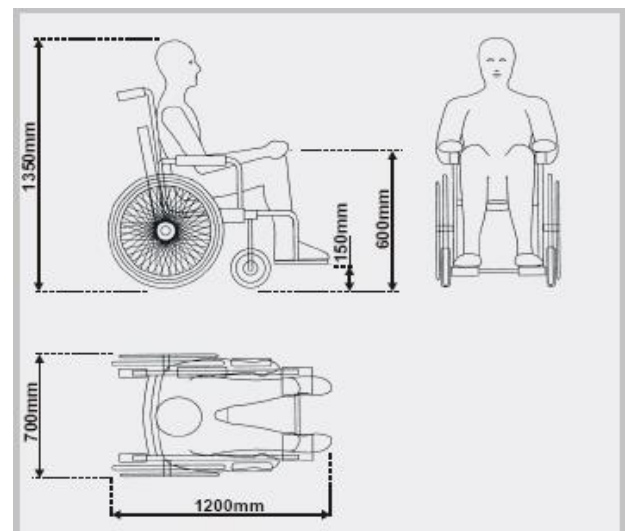
Dacorum Borough Council is responsible for licensing taxis and private hire vehicles which operate within the borough. We ensure that a proportion of taxis in the borough are safely constructed and equipped to carry passengers in wheelchairs.

This document contains details of all the licensed taxis and private hire vehicles which have been designated by the Council under section 167 of the Equality Act 2010. This means that all drivers of these vehicles are subject to additional legal duties under section 165 of that Act.

When one of these vehicles is hired by or for a disabled person who is in a wheelchair, or by another person who wishes to be accompanied by a disabled person who is in a wheelchair, the driver of the vehicle must:

- a) **carry the passenger while in their wheelchair;**
- b) **not make any additional charge for doing so;**
- c) **if the passenger chooses to sit in a passenger seat, carry their wheelchair;**
- d) **take such steps as are necessary to ensure that the passenger is carried in safety and reasonable comfort;**
- e) **give the passenger such mobility assistance as is reasonably required, i.e. assistance:**
  - i) **to enable the passenger to get into or out of the vehicle;**
  - ii) **if the passenger wishes to remain in the wheelchair, to enable the passenger to get into and out of the vehicle while in their wheelchair;**
  - iii) **to load the passenger's luggage into or out of the vehicle;**
  - iv) **if the passenger does not wish to remain in the wheelchair, to load the wheelchair into or out of the vehicle.**

It may not be possible for taxis to carry larger specialist or motorised wheelchairs in their vehicles, if the safety of the passenger cannot be assured. The statutory duties will therefore apply to wheelchairs sized up to the dimensions of the following 'reference wheelchair':



Length: 1200mm (approx. 48") including footplates  
Width: 700mm (28")  
Total seated height: 1350mm (54")  
Clearance under footplate: 150mm (6")

A small number of licensed drivers may have been exempted from these duties due to health or medical conditions which affect their ability to safely carry them out. Such drivers must display an official exemption certificate in their vehicle.

If you would like to make a comment or complaint about a journey you have taken in a wheelchair-accessible taxi, please visit our website, at [www.dacorum.gov.uk/taxi-complaints](http://www.dacorum.gov.uk/taxi-complaints)

We will update this list periodically with any revisions, please check our website for the latest version ([www.dacorum.gov.uk/taxi](http://www.dacorum.gov.uk/taxi)).

<b>Licence (plate) number</b>	<b>Registration number</b>	<b>Vehicle make/model</b>	<b>Vehicle licence type</b> <i>(see note below)</i>	<b>Licence expires</b>
<b>HV 061</b>	K700 RKS	Ford Transit	Hackney Carriage vehicle	5 July 2022
<b>HV 062</b>	GJ51 CAB	Ford Transit	Hackney Carriage vehicle	31 March 2022
<b>HV 071</b>	SP56 RAS	Mercedes-Benz Viano	Hackney Carriage vehicle	29 September 2022
<b>HV 097</b>	KN11 XJO	Mercedes-Benz Viano	Hackney Carriage vehicle	6 March 2022
<b>HV 154</b>	OU60 ZBC	Mercedes-Benz Vito	Hackney Carriage vehicle	1 September 2022
<b>HV 209</b>	SF13 GFZ	Peugeot Premier	Hackney Carriage vehicle	16 April 2022
<b>HV 219</b>	BJ56 XAU	Mercedes-Benz Vito	Hackney Carriage vehicle	13 June 2022
<b>HV 221</b>	CE17 MYR	Mercedes-Benz V Class	Hackney Carriage vehicle	3 September 2022
<b>HV 231</b>	KJ69 CJF	Mercedes-Benz Vito	Hackney Carriage vehicle	14 December 2021
<b>HV 250</b>	YL17 JDK	Mercedes-Benz Vito	Hackney Carriage vehicle	20 July 2022
<b>HV 282</b>	DK08 FXV	Citroen Berlingo	Hackney Carriage vehicle	13 August 2022
<b>HV 304</b>	SA08 JWZ	Ford Tourneo	Hackney Carriage vehicle	12 August 2022
<b>HV 317</b>	KX64 RXH	Ford Tourneo	Hackney Carriage vehicle	28 October 2022
<b>HV 318</b>	F4 AYT	Mercedes-Benz Viano	Hackney Carriage vehicle	19 November 2022
<b>HV 322</b>	T4 XLV	Ford Tourneo	Hackney Carriage vehicle	12 July 2022
<b>HV 325</b>	BA54 CAB	Peugeot Partner Tepee	Hackney Carriage vehicle	26 March 2022
<b>HV 339</b>	LO19 VWU	Mercedes-Benz Vito	Hackney Carriage vehicle	31 May 2022
<b>HV 341</b>	KV06 PGR	Mercedes-Benz Viano	Hackney Carriage vehicle	6 September 2022
<b>HV 343</b>	SF17 HFM	Ford Tourneo	Hackney Carriage vehicle	25 November 2022

<b>Licence (plate) number</b>	<b>Registration number</b>	<b>Vehicle make/model</b>	<b>Vehicle licence type</b> <i>(see note below)</i>	<b>Licence expires</b>
<b>HV 346</b>	LR71 VJU	Mercedes-Benz Vito	Hackney Carriage vehicle	4 October 2022
<b>PV 021</b>	BX55 JZM	Renault Master	Private Hire vehicle	31 January 2022
<b>PV 426</b>	SF69 FWY	Peugeot Boxer	Private Hire vehicle	16 August 2022

**Note**

*Hackney carriages (commonly known as taxis) may pick up passengers at taxi ranks, if hailed in the street, or for pre-booked journeys.*

*Private hire vehicles may only be pre-booked through a licensed operator.*